



REG

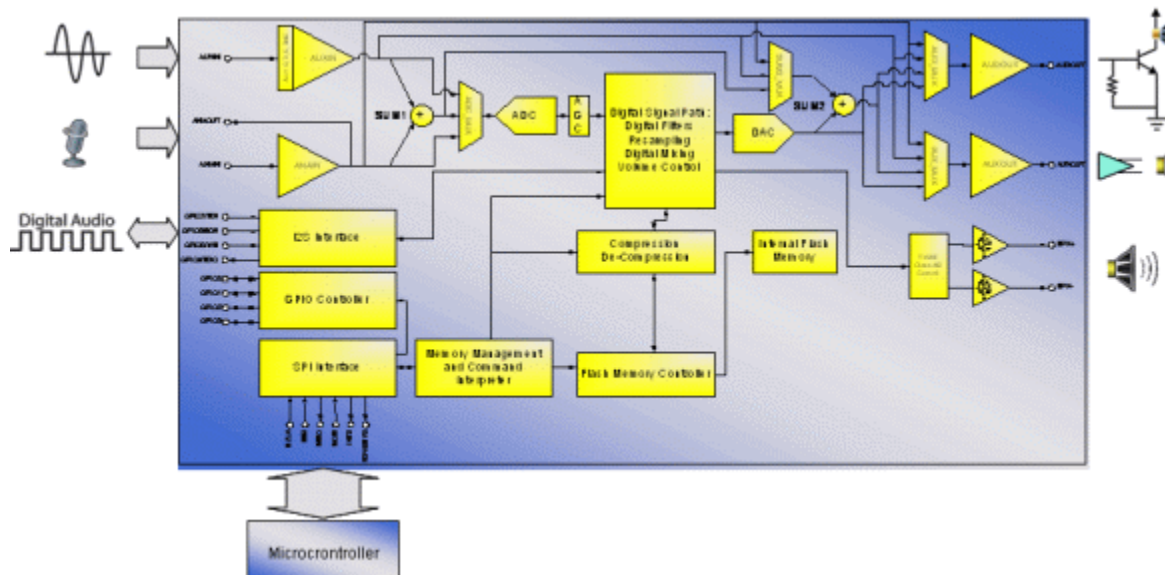
About Nuvoton	Products & Sales	News & Events	Investor
-------------------------------	--------------------------------------	-----------------------------------	--------------------------

ISD15000 Series ChipCorder

The ISD15000 series is a multiple message ChipCorder? featuring digital compression, comprehensive memory management, and integrated analog/digital audio signal paths. The message management feature is designed to make message recording simple and address-free as well as making code development easier for playback only applications. This series provides audio record/playback with durations up to 16 minutes on a single-chip solution.

- Related li**
- [Block Diagram](#)
 - [Application Dia](#)
 - [Product Selecti](#)
 - [How to Buy](#)

Block Diagram



Product Selection Guide

Part Number	Duration	Density	Sample Rate	Package	Develo
ISD15102	2 min.	4 Mb	Up to 48 KHz	48-LQFP	ISD, ISD-E

ISD15104	4 min.	8 Mb	Up to 48 KHz	48-LQFP	ISD_ ISD-E
ISD15108	8 min.	16 Mb	Up to 48 KHz	48-LQFP	ISD_ ISD-E
ISD15116	16 min.	32 Mb	Up to 48 KHz	48-LQFP	ISD_ ISD-E

[Legal Terms and Conditions](#) | [Privacy Statement](#) | [Contact Us](#)
©2008 Nuvoton Technology Corporation America - All Rights Reserved